



YAMAHA

SPS-9500T

TABLE STAND FOR NS-AP9500

CONTENTS

CONSUMER PRECAUTIONS	2
UNPACKING	3
SETTING UP THE SPEAKERS STANDS.....	4~6
SPECIFICATIONS.....	6

SET UP INSTRUCTIONS

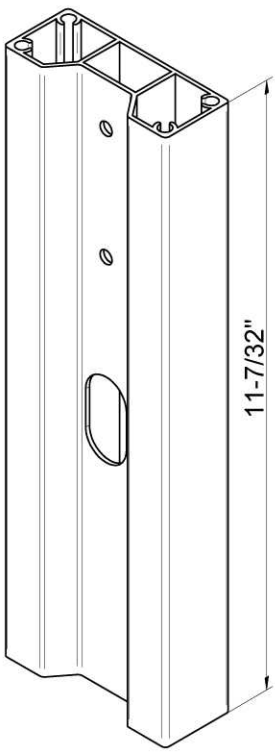
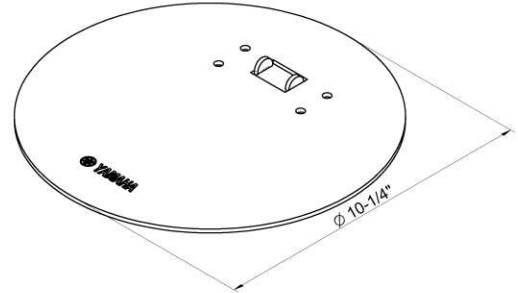
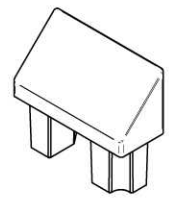
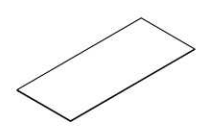




CONSUMER PRECAUTIONS

Read these precautions carefully before setting up the SPS-9500T.

- Since these speakers can be wall mounted, it is essential that they are firmly secured. Be sure to consult a reliable source about the best type of hanger for your particular wall's construction. Secure installation is the purchaser's responsibility.
- Do not attach them to thin plywood or soft wall surface materials as the screws may tear free, causing the speakers to fall and be damaged, or result in personal injury.
- Do not fasten the speakers to walls with nails, adhesives, or other unsafe hardware. Long-term use and vibrations may cause them to pull free.
- Do not place the speakers where they are liable to be knocked over or struck by falling objects. Stable placement will also ensure better sound performance.
- Placing the speakers on the same stand or shelf as a turntable can result in feedback.
- This speaker features a magnetically shielded design, but there is still a chance that placing it too close to a TV set might impair picture color. Should this happen, move the speaker away from the TV set.
- Never touch the woofer or tweeter units with your hands or expose them to excessive physical shock. If they are dented or bent, the sound will be distorted.
- Lower the power amplifier / receiver volume control before changing input sources. Never change input sources (for example, FM to CD) at high listening levels. Always turn the receiver / amplifier unit off when installing or removing input cables.
- Anytime you note distortion, reduce the volume control on your power amplifier / receiver to a lower setting. Never allow your power amplifier to be driven into "clipping".
- Do not attempt to clean the speakers with chemical solvents as this might damage the finish. To clean wipe with a dry, soft cloth.
- To prevent the enclosure from warping or discoloring, do not place the speakers where they will be exposed to direct sunlight or excessive humidity.
- This speaker stand is only for the speaker systems listed in "USABLE SPEAKERS" below. Do not use the speakers other than these listed.
- To prevent the speaker from falling, use the screws and parts provided with the stand.
- To prevent the speaker stand from falling over, select a location which is flat and stable.
- To avoid accidents resulting from tripping over loose speaker cables and to prevent the speaker stand from falling over, fix the speaker cables to the wall, etc.
- Do not let the children lean on the stand as this might cause the serious accidents resulting from the falling over of the speaker stand.
- **Secure placement or installation is the owner's responsibility.**
YAMAHA shall not be liable for any accident caused by improper placement or installation of speakers.

UNPACKING

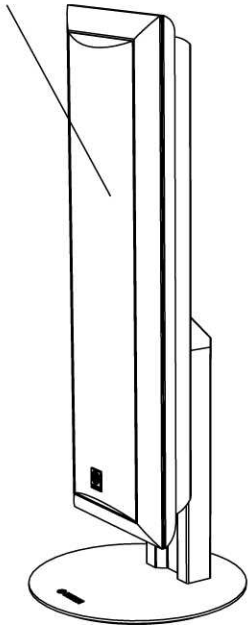
After unpacking, check that following items are contained.

<p>Main Speaker supports</p>  <p style="text-align: right;">x 1</p>	<p>Speakers stand base</p>  <p style="text-align: right;">x 1</p>		
	<p>Cap</p>  <p style="text-align: right;">x 1</p>	<p>Cable protection seal for 10-1/4" Metal Base</p>  <p style="text-align: right;">x 1</p>	
	<p>Non-skid pads for 10-1/4" Metal Base</p>  <p style="text-align: right;">x 4</p>		
	<p>8-9/32" x 3/4" Non-skid pads for support & speaker</p>  <p style="text-align: right;">x 2</p>		
	<p>Base mounting screws</p>  <p style="text-align: right;">x 4</p> <p>size M6 x 1/2"</p>	<p>Mounting screws (for support)</p>  <p style="text-align: right;">x 2</p> <p>size 1/4" x 1-11/16"</p>	

SETTING UP THE SPEAKERS STANDS

ASSEMBLED SPEAKER STANDS

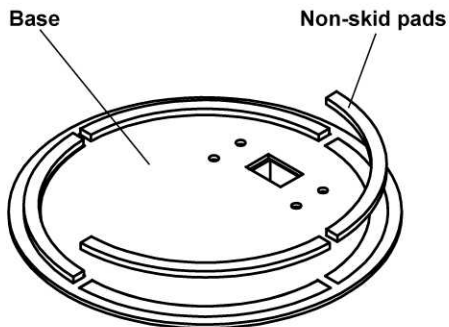
NS-AP9500



SETUP PROCEDURES

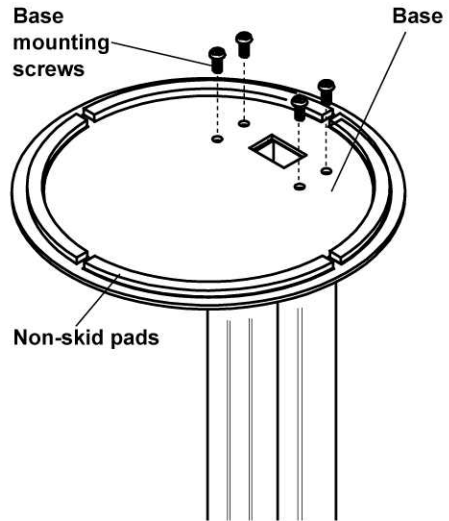
You will need a Philips screwdriver for assembly of the speaker stand.
Be sure to use the correct screw type.
Remove the adaptor and cap before assembly.

- 1** Attach the support to the base with the base mounting screws and apply the non-skid pads as shown below.

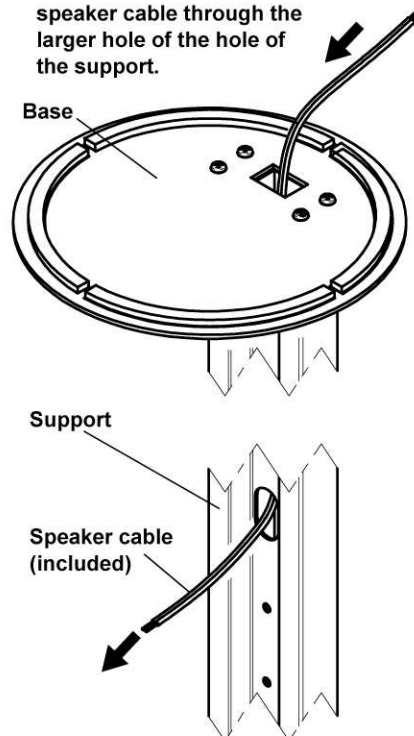


- 2** Attach the support to the base with the base mounting screws.

* Do not overtighten the screws. Doing so may damage the screws or assembly.
* Adjusting the position of the mounting screws even minutely may damage or scratch the support and base. Please take care not to damage them during adjustment.

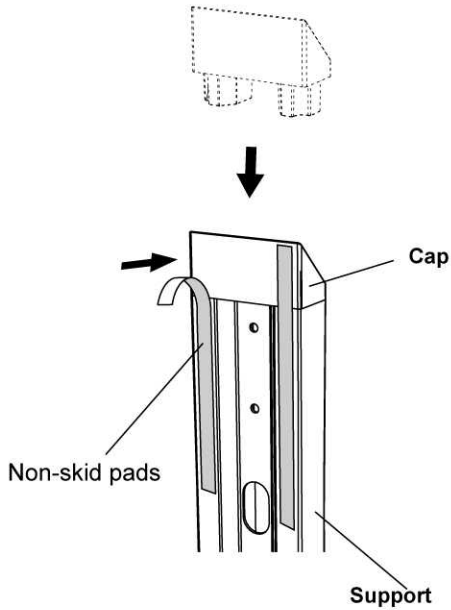


- 3** Pass the speaker cable through the support from the under side of the base. Pass the speaker cable through the larger hole of the hole of the support.

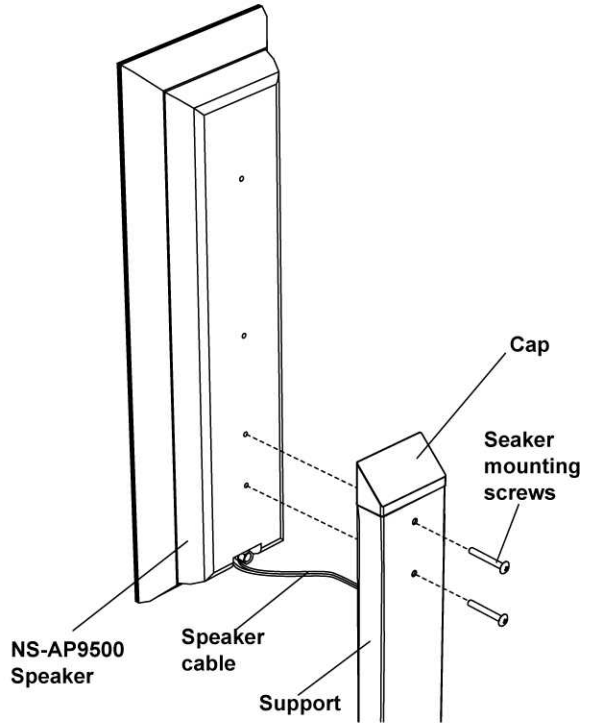


SETTING UP THE SPEAKERS STANDS

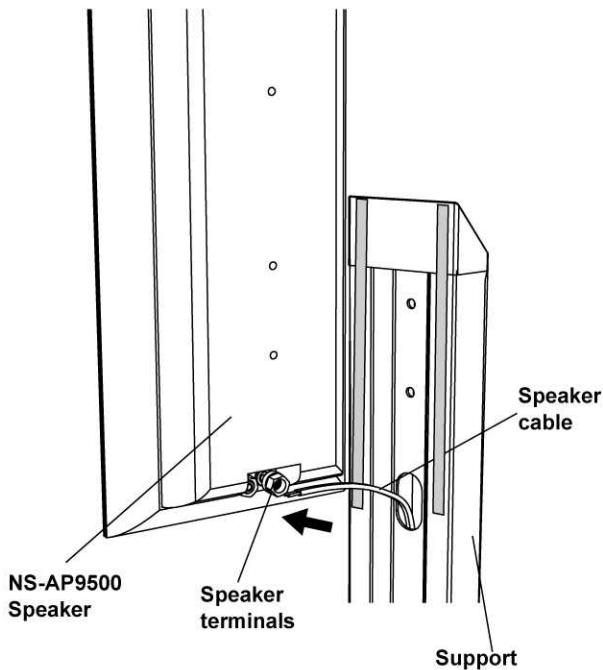
- 4** Attach the cap to the support, and apply the non-skid pads as shown below.



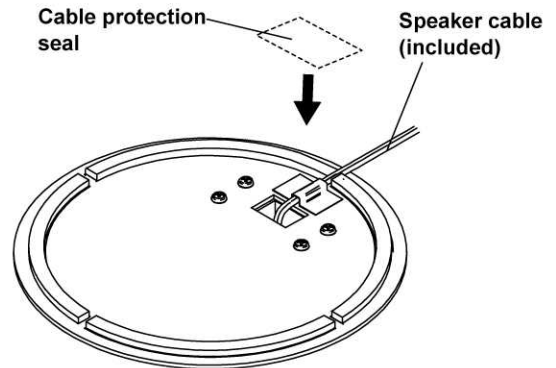
- 6** Attach the speaker to the support with the adaptor mounting screws.



- 5** Connect the speaker cable to the speaker terminal correctly matching the polarity.
* Refer to the instruction manual of the speakers for connecting the speaker cables.



- 7** Fix the speaker cable to the base with the cable protection seal.



Assembly is complete
Assemble the other stand in the same way.



SPECIFICATIONS

Dimension (HxWxD)	XX-X/XX" x XX-X/XX" x X-XX/XX" (XXX x XXX x XX mm)
Weight	XXX lbs (XX kg)





YAMAHA ELECTRONICS CORPORATION, USA
6660 ORANGETHORPE AVE.,
BUENA PARK, CA 90620
<http://www.yamaha.com/yec>
Phone: 1-800-492-6242

P/N XXXXXX

Printed in Taiwan